

# NFT Gro-Tank 205 GTi - Instructions



page 1/1

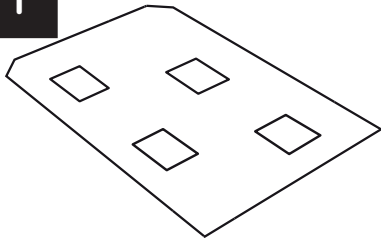
## Overview

Thank you for purchasing the NFT Gro-Tank 205 GTi - a low level, low maintenance, low cost hydroponics system that encourages fast growth and high yields with minimum waste.

## Setting Up and Running the Gro-Tank

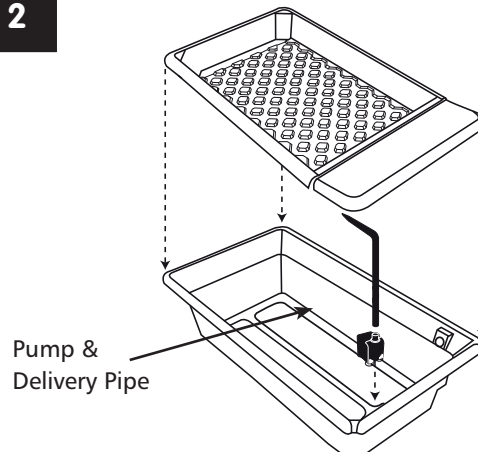
Growing indoors using NFT (Nutrient Film Technique) is a simple but incredibly productive method of gardening. Your plants are placed in Rockwool cubes (not included) and positioned so that their roots can feed from a special channel directly beneath them. This carries a continuous running film of nutrient solution recirculated from the main reservoir. Once the roots are out of the bottom of the cubes the system can safely be operated for 24 hours a day. To set up your tank up and run it you will need to do the following:

1



Decide how many plants you are going to plant into your Gro-Tank and cut the right amount of holes in the white correx Gro-Tank cover. Cut the square holes the same size as the Transplanting Cubes.

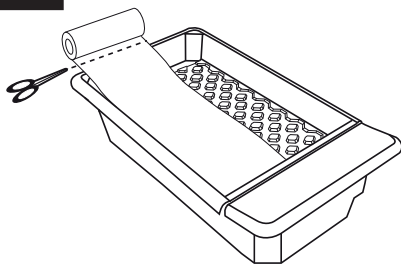
2



Pump &  
Delivery Pipe

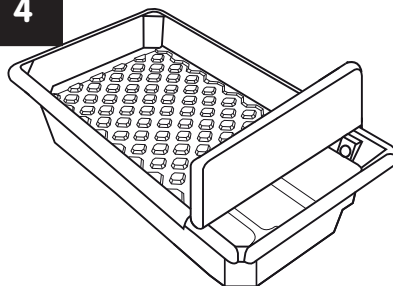
Set up the Gro-Tank by placing the top tray over the tank so that the end of the top tray with the flap is above the end of the tank that has been designed for the pump to sit in. The pump sits at the open end of the reservoir with the delivery pipe placed through the hole on the top tray.

3



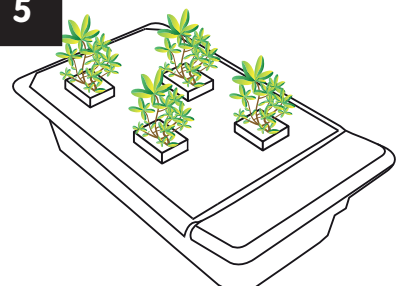
Place a single layer of the spreader mat across the whole of the top tray. This will help to spread the nutrient solution across the whole of the tray where the roots will eventually form.

4



Fill the Gro-Tank with a quarter strength nutrient solution (use 1 ml of Grow A and 1 ml of B per litre of water). Add the feed first then adjust the pH to about 6.

5



Place the correx over the top tray and then slot the Transplanting Cubes through the cut out holes in the cover, leaving the cubes to rest on the growing tray. Set the pump running.

Once the roots show from the bottom of the cube leave the pump running 24 hours a day, 7 days a week

Order Hotline:  
**0845 345 5177**



Technical Help: **0845 345 5176**  
**www.growell.co.uk**